

For Residential and Commercial Applications

Job Name _____

Contractor _____

Job Location _____

Approval _____

Engineer _____

Contractor's P.O. No. _____

Approval _____

Representative _____

Series AS-B Bronze Air Separator

Size: $\frac{3}{4}$ " – $1\frac{1}{4}$ " (20 – 32mm)

Series AS-B Bronze Air Separator is designed for efficient separation of air from water in hydronic heating systems. Series AS-B has tapplings for the installation of an expansion tank, air vent and for boiler fill piping. Entrapped air in the hot water heating system piping is dispersed by the internal agitator of the air separator as the water is recirculated within the heating system piping and is removed by the $\frac{1}{2}$ " air vent installed on the air separator. This provides quiet efficient operation of the hot water heating system radiation.

Features

- Bronze construction
- Sizes $\frac{3}{4}$ ", 1", $1\frac{1}{4}$ " (20, 25, 32mm) NPT threaded or sweat
- Comes standard with tapplings for boiler fill, expansion tank and $\frac{1}{2}$ " air vent
- Provides complete, continuous purging and venting of air in the system when installed with the Watts Series FV4-M1 air vent which is provided with the air separator
- Ideal for radiant heat systems

Specifications

An air separator shall be installed as indicated on the plans. Separator shall be of bronze construction with tapplings for boiler fill, expansion tank and $\frac{1}{2}$ " air vent. Separator shall be a Watts Regulator Company Series AS-B-T (threaded) or AS-B-S (Sweat).

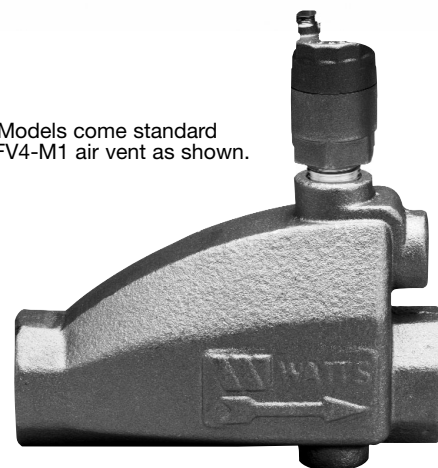


AS-B-T (Threaded)



AS-B-S (Sweat)

All AS-B Models come standard with $\frac{1}{2}$ " FV4-M1 air vent as shown.



WATTS®
REGULATOR

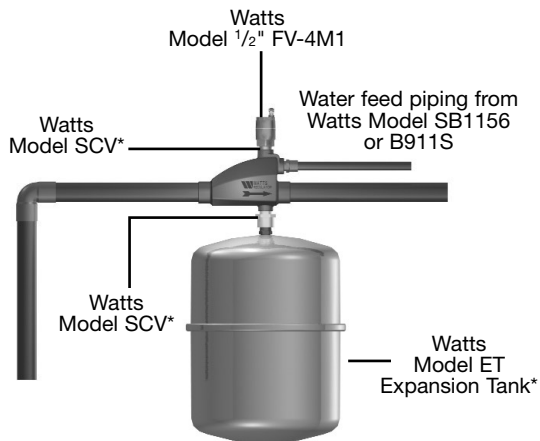
Watts product specifications in U.S. customary units and metric are approximate and are provided for reference only. For precise measurements, please contact Watts Technical Service. Watts reserves the right to change or modify product design, construction, specifications, or materials without prior notice and without incurring any obligation to make such changes and modifications on Watts products previously or subsequently sold.

Pressure — Temperature

Maximum Working Pressure: 125psi (862 kPa)

Maximum Operating Temperature: 275°F (135°C)

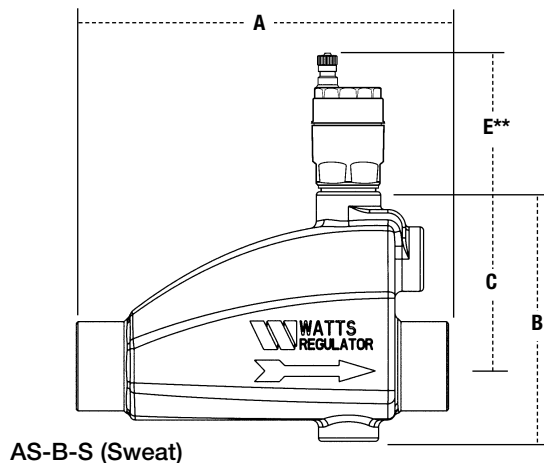
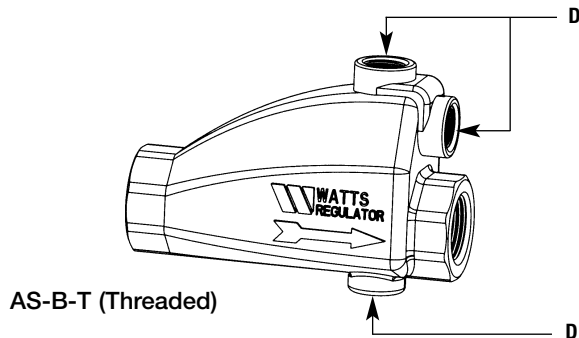
Typical Mounting



Note: Supplied with Watts Model 1/2" (15mm) FV-4M1 and one 1/2" (15mm) brass pipe plug.

*Model SCV service check valves and Watts Model ET expansion tank are not supplied with the AS-B.

Dimensions - Weights



MODEL	SIZE (DN)		DIMENSIONS						WEIGHT					
	in.	mm	A		B		C		D		E**		lbs.	kgs.
*AS-B-T	3/4"	20	5 1/16	129	3 7/16	87	2 5/16	59	1/2	13	3 5/16	85	1.7	.77
*AS-B-T	1"	25	6 1/8	156	4 5/16	110	3	76	1/2	13	3 5/16	85	3.9	1.8
*AS-B-T	1 1/4"	32	6 1/8	156	4 5/16	110	3	76	1/2	13	3 5/16	85	3.6	1.6
*AS-B-S	3/4"	20	5	127	3 7/16	87	2 5/16	59	1/2	13	3 5/16	85	1.7	.77
*AS-B-S	1"	25	6 1/2	165	4 5/16	110	3	76	1/2	13	3 5/16	85	3.4	1.6
*AS-B-S	1 1/4"	32	6 1/2	165	4 5/16	110	3	76	1/2	13	3 5/16	85	3.4	1.6

*Supplied with one 1/2" brass pipe plug and 1/2" FV4-M1 Float Vent.

**Dimension for removal of air vent.

Laminar Flow

For most systems the AS-B will provide superior air separation with minimal inlet/outlet piping length, optimum operation is achieved with laminar flow, see Table 1 below.

Table 1

Pipe length to achieve laminar flow

SIZE (DN)		INLET		OUTLET	
in	mm	in	mm	in	mm
3/4"	20	13 1/2	343	4 1/2	114
1"	25	18	457	6	152
1 1/4"	32	22 1/2	572	7 1/2	191



USA: 815 Chestnut St., No. Andover, MA 01845-6098; www.wattsreg.com
 Canada: 5435 North Service Rd., Burlington, ONT L7L 5H7; www.wattscanada.ca

